

Product information

IIoT Gateway

CC300T



(valid from 11/2018)

Changes to older versions of this document

- Rev. 01** → **02**: First steps outsourced to a separate document
- Rev. 02** → **03**: New front foil drawing and information for data security added
- Rev. 03** → **04**: Information for disposal of old equipment

Technical data

**S7-IIoT-Gateway
for 35mm DIN-rail**

Standard configuration:

- Ethernet with**
- RFC1006 (S7-communication),
 - Send/ Receive via TCP and UDP,
 - Modbus TCP

Run/Stop switch

- State LEDs for**
Power, Battery, Error, Run

- Inserting stripes**
- for Logo and identification (thereby customized adaption possible easy)

on demand :

- RS232 with**
- Modbus-TCP

- RS485 with**
- Modbus RTU
- with switchable terminate resistors for RS485

- CAN**
- protocol compatible to
- CANopen®
- with switchable terminate resistors for RS485

- Scope of delivery:**
- Grounding terminal
- Technical data sheet

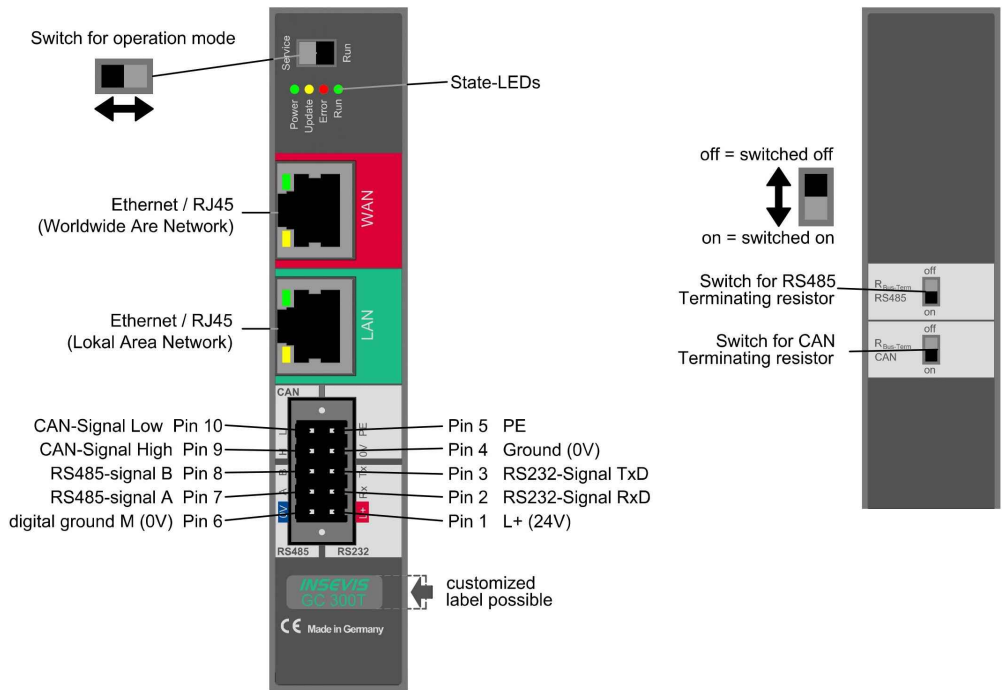


Image: view of GC300T

For handling → please see present manual S7-IIoT-Gateway

Technical data	
Dimensions W x H x D (mm)	28 x 116 x 84
Cut out W x H (mm)	35mm DIN rail
Protection class	IP41
Weight	ca. 350g
Operating temperature range	-20°C ... +60°C (without condensation)
Storage temperature range	-30°C ... +80°C
Connection technology	removable connector with 2 bolt flanges aside (cage clamp technology) for cross section up to max. 1,5mm ²
Load voltage L+	24V DC (11 V ... 30V DC)
Start-up current	< 3A

Technical data	CPU
CPU-type	Type T (GC300T)
Working memory	256 MByte
internal memory	4 GByte, thereof ca. 1 GByte for user data (visualizations, etc.)
Programming languages Programming system	JavaScript Node-RED
Serial interfaces (protocols)	COM1: RS 232 (via Node-RED) COM2: RS 485 (via Node-RED)
Ethernet (protocols)	ETHERNET: 10/100 MBit S7-communication (active put/get), Modbus-TCP (more by Node-RED)
OPC UA Server	Predefined namespace, compatible to S7-1500 + max. 100 user-variables alternatively user defined namespace with external modeler (via binary data export) optionally OPC UA DI able to provide datapoints from all other interfaces including history history configurable in sample time and number of samples
SecurityPolicy	subscriptions: max. 8 monitored items per subscription: max. 200 monitored items total: max. 500 none / Basic 256 Sha 256 sign / Basic 256 Sha 256 sign & encrypt (can be enabled and disabled separately)
MQTT	Client (subscriber / publisher)
Node-RED	performance limit approx. 50 variables actualise cyclic data points from all other interfaces
CAN (protocols)	Baudrate 10 kBaud ... 1 MBaud – via Node-RED
Data security	open source packages OpenSSH and OpenVPN

Ordering data of devices and accessories
Identification
S7-llot-Gateway GC300T-0-03
Connector 2x5pin (bolt flanges) / E-CONS10-00

Qualified personnel

All devices described in this manual may only be used, built up and operated together with this documentation. Installation, initiation and operation of these devices might only be done by instructed personnel with certified skills, who can prove their ability to install and initiate electrical and mechanical devices, systems and current circuits in a generally accepted and admitted standard.

Manuals, sample programs

Additional documentation by manuals is available as well sample applications at the download area of www.insevis.com in English language for free download.

Copyright

This and all other documentation and software, supplied or hosted on INSEVIS web sites to download are copyrighted. Any duplicating of these data in any way without express approval by INSEVIS GmbH is not permitted. All property and copy rights of these documentation and software and every copy of it are reserved to INSEVIS GmbH.

Trade Marks

INSEVIS refers that all trade marks of particular companies used in own documentation are reserved trade marks are property of the particular owners and are subjected to common protection of trade marks.

Disclaimer

All technical details in this documentation were created by INSEVIS with highest diligence. Anyhow mistakes could not be excluded, so no responsibility is taken by INSEVIS for the complete correctness of this information. This documentation will reviewed regularly and necessary corrections will be done in next version. With publication of this data all other versions are no longer valid.

Disposal



Do not throw old appliances in the household waste! In the interest of environmental protection, old appliances must be collected separately from unsorted municipal waste. You can find out more about the proper disposal / return of your old appliance at www.insevis.com/disposal.

Attention: The deletion of personal data on the old devices to be disposed of is the responsibility of the end user.

With publication of this information all other versions are no longer valid.